

Sana

JUICER[®] BY **Omega**

USER MANUAL



MODEL | EUJ-808 - Vertical Juicer

LOW SPEED MASTICATING JUICER

www.SanaProducts.eu

2014 MAY



Congratulations!

CONGRATULATIONS on the purchase of your new Sana.

At Sana, we strive to develop technologically advanced machines that help deliver nutrition and flavor of the highest kind and closest to nature's purest form. We are driven by you, our brand supporters. Your enthusiasm helps us continue to reinvent and renew our line of juicers, high speed blenders and beverage equipment. Our team at Sana thanks you for supporting us for over 50 years!

TABLE OF CONTENTS

- 04 Safety First, Important Safeguards
- 05 Know Your Sana
- 06 Quick Start Assembly
- 07 How to Assemble
- 08 Operating Instructions
- 09 Spinning Brush Assembly,
Disassembly and Wash
- 10 Bowl Packaging Assembly
- 11 Juice Flap Assembly
- 12 Sterilization & Easy Cleaning
- 13 - 15 Precautions for Safe Use
- 16 If the Auger Stops Working
- 17 Hints & Tips
- 18 Troubleshooting
- 19 Product Specifications

SAFETY FIRST

When using electrical appliances, basic safety precautions should always be followed including the following.

1. READ ALL INSTRUCTIONS BEFORE USING.
2. To protect against electrical shock, do not immerse cord, plug, or main body (motor) in water or other liquid.
3. Close supervision is necessary when any appliance is used by or near children.
4. Unplug from outlet before assembling, before taking off parts, before cleaning and when not in use.
5. Avoid contact with moving parts.
6. Do not operate any appliance with a damaged cord or plug or after the appliance malfunctions or has been damaged in any manner. Return appliance to the manufacturer (see warranty) for examination, repair, or electrical or mechanical adjustment.
7. The use of attachments not recommended or sold by manufacturer may cause fire, electric shock or injury.
8. Do not let cord hang over edge of table or counter or touch heated surfaces.
9. Always make sure juicer locking clip is locked when juicer is in operation.
10. To disconnect, press/switch OFF then remove plug from wall outlet. Make sure the motor stops completely before disassembling.
11. Do not put your fingers or other objects into the juicer while it is in operation. If food becomes lodged in opening, use food plunger or another piece of fruit or vegetable to push down the lodged food. When this method is not possible, turn off the machine, remove the plug from wall outlet and disassemble juicer to remove the remaining food.
12. Do not use outdoors.
13. Do not place on or near a hot gas or electric burner or in a heated oven.
14. Do not use appliance for anything other than its intended use.
15. Keep the appliance clean. Refer to the Care & Cleaning instructions in this manual.

SAVE THESE INSTRUCTIONS



KNOW YOUR SANA

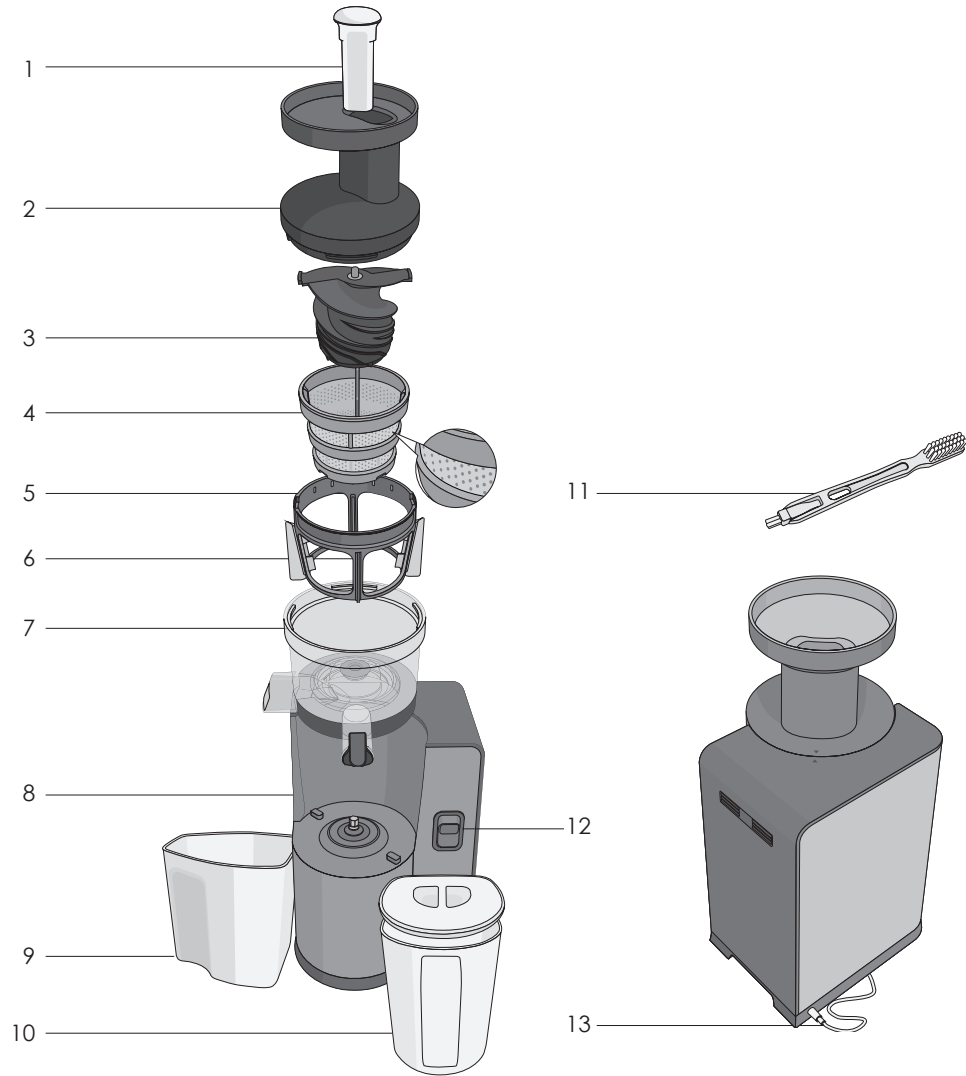


- A** Pusher
- B** Hopper
- C** Wide Feed Chute
- D** Safety Locking System
- E** Auto Cleaning System
- F** Pulp Outlet
- G** High Performance Motor
- H** Sturdy Nonslip Feet
- I** Ultem Juice Screen
- J** On/Off
- K** Juice Flap
- L** Heavy Duty Ultem Auger



NOT SHOWN
 Juice Container
 Pulp Container

QUICK START ASSEMBLY



1 Pusher

2 Hopper

3 Auger

4 Screen

5 Spinning Brush

6 Silicon Brush

7 Juice Bowl

8 Base

9 Pulp Container

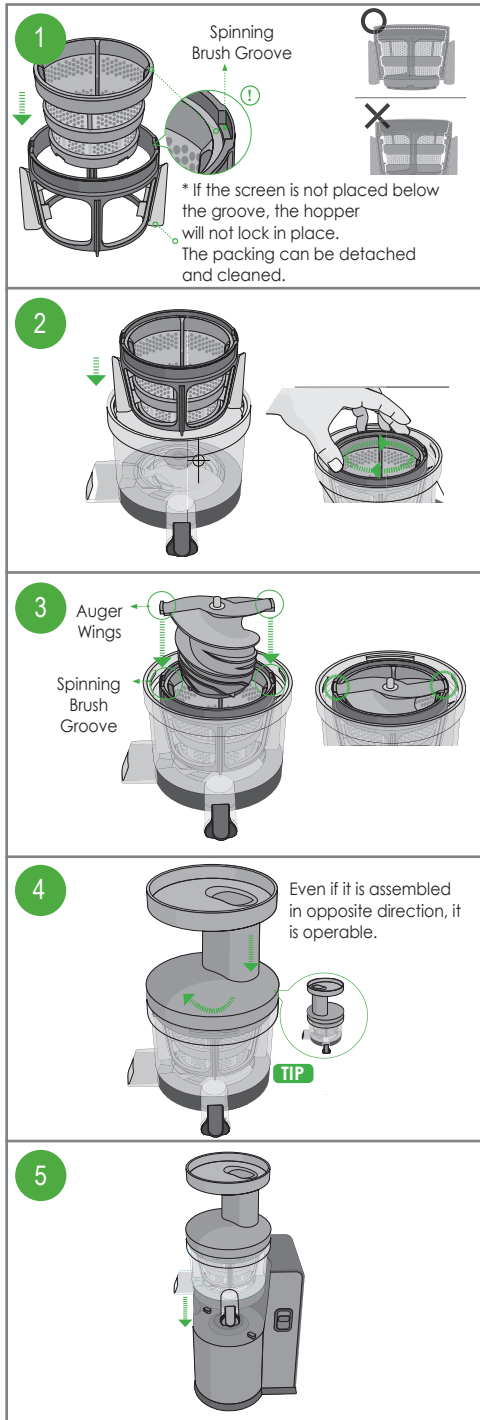
10 Juice Cup

11 Cleaning Brush

12 Operating Switch

13 Power Cord

INSTRUCTIONS: How to Assemble



Assemble the screen. The top of the screen must sit below the grooves on the spinning brush, as shown in the picture. Otherwise, the chamber set will not close properly.

Place the assembled silicone brush and screen into the juice bowl. Move it left to right until it clicks into place.

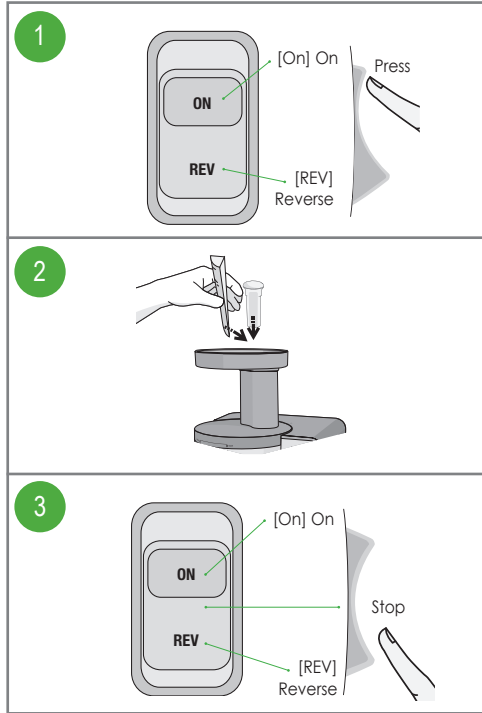
Next place the auger inside the screen. Align the augers wings with the grooves on the spinning brush.

Place the hopper onto the juice bowl. Turn the hopper clockwise until it is locked completely.

Mount the assembled juice bowl chamber onto the motor base.

OPERATING INSTRUCTIONS

ON/REV BUTTON



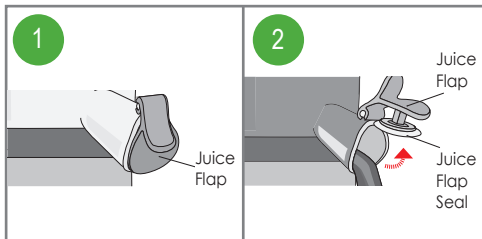
Press [ON] button to start.

Gradually put the ingredients into the hopper chute and press down with the pusher.

After the extraction is complete, place the switch in stop position to stop.

! WARNING When using [ON] or [Rev] button, make sure that the auger stops completely.

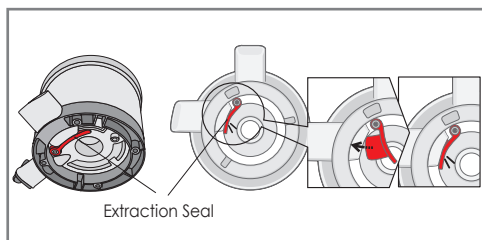
JUICE FLAP



Close the juice flap to mix juice inside the bowl while juicing.

Open the juice flap to release mixed juice into a glass. Close the flap to save juice for another serving.

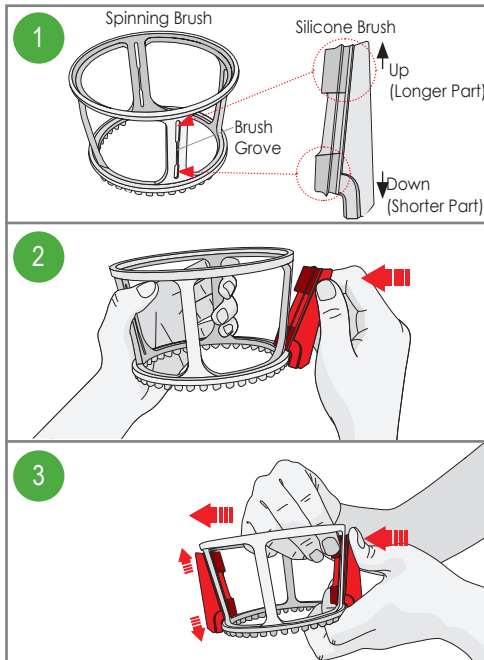
EXTRACTION SEAL



The silicone pulp stopper is located at the bottom of the Juice Bowl. Before use, make sure the seal is closed. For cleaning, open the extraction seal and wash out trapped food.

SPINNING BRUSH ASSEMBLY, DISASSEMBLY AND WASH

SPINNING BRUSH ASSEMBLY



Check the groove of the spinning brush and the direction of silicone brush.

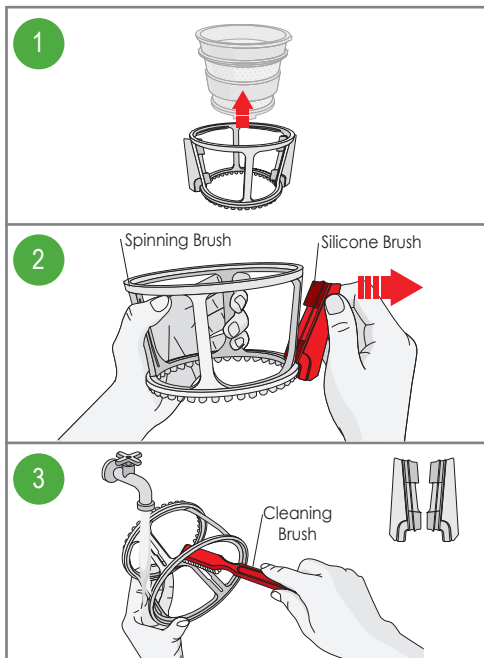
- As shown to the left, let groove inserts face the spinning brush.

Insert the silicone brush into the spinning brush. The longer part should face upward. Hold the outer wing of silicone brush with your thumb and index finger and insert silicone brush into the groove of spinning brush.

Pull tight.

- Push silicone brush from the outer side of spinning brush and pull 'inner wing' in the direction of inside of the spinning brush with the other hand as shown to the left.
- Pull it until you cannot pull it any longer. If unit is not fully assembled, there is a risk of breakage.

SPINNING BRUSH DISASSEMBLY AND WASH

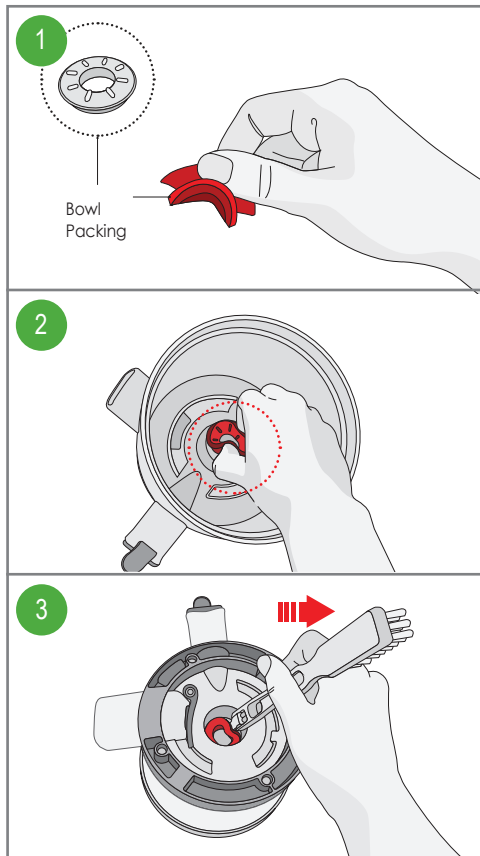


Remove the spinning brush from juicing screen.

Detach the silicone brush from spinning brush. As shown to the left, hold the outer part of silicone brush with your fingers and pull it out to the arrow direction. If pulling it by force, silicone brush may be torn or spinning brush may be damaged.

With cleaning brush, wash inside and outside of spinning brush under running water. Wash silicone brush in the same way under the running water.

BOWL PACKING ASSEMBLY

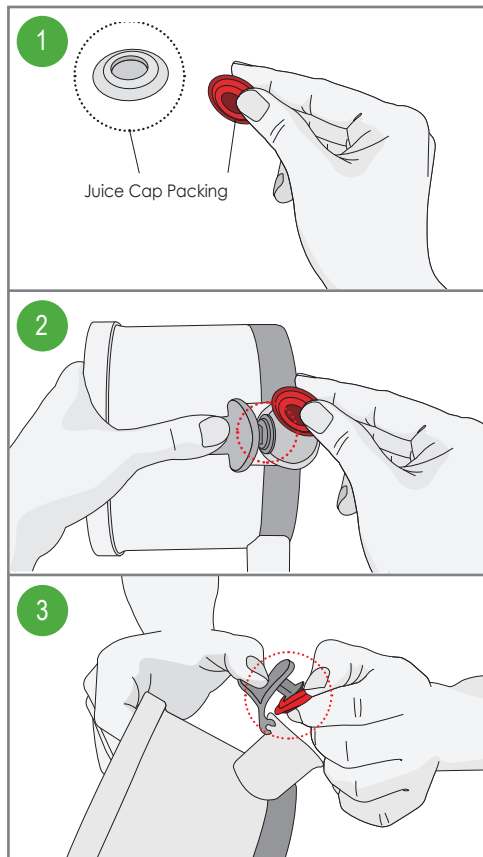


As shown to the left in the dotted circle, let the protrusion part on the bowl packing face upward and hold it, like pinching, with your thumb and index finger.

- Insert the bottom of the bowl packing into the bowl hole and fully press it down.
- Do not insert whole part of bowl packing.
- The upper part of the bowl packing must be shown.

If the bowl packing at the bottom of the bowl is not fully inserted and bent, set it into place with the rotating attractor of the cleaning brush.

JUICE FLAP ASSEMBLY



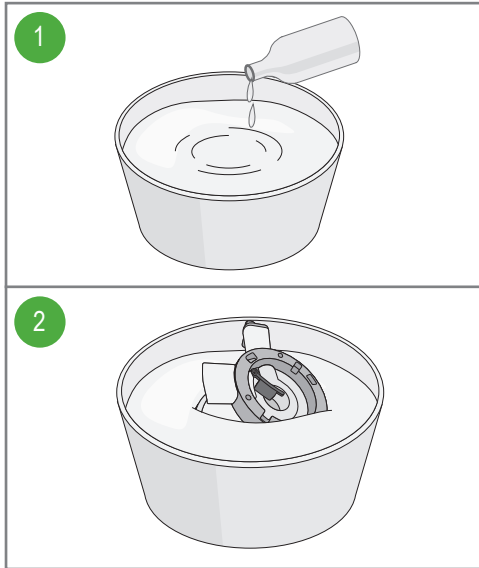
Hold juice cap packing as shown to the left. The hole must be visible.

Open the juice cap and insert the juice cap packing to the top. Be careful not to drop the bowl.

Set the packing to seal off completely. If not completely sealed, juice may leak.

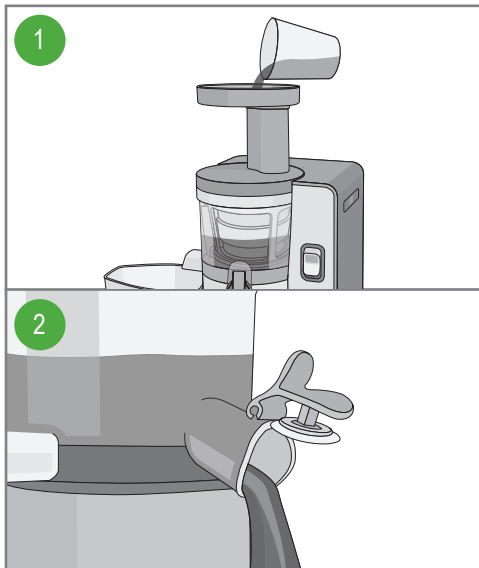
STERILIZATION & CLEANING

STERILIZATION



You can thoroughly wash parts by immersing in warm water diluted with one or two drops of baking soda or dishwashing soap for about 30 minutes.

EASY CLEANING SYSTEM



When juicing multiple recipes successively, it is not necessary to disassemble and wash parts. Simply close the juice cap, pour water into hopper and operate the appliance.

Open the juice cap and discharge the water.

After you are done juicing for the day, disassemble and fully wash the bowl set.

PRECAUTIONS FOR SAFE USE

All users of this appliance must read and understand these safety precautions before operating.

SIGN SAMPLES



This sign indicates contents that may cause risk of a fire or an electrical shock. Specific warning is written in the sign.



This sign indicates contents that may cause risk of a fire or an electrical shock. Specific warning is written in the sign.



This sign indicates prohibited acts. Specific prohibitions are written around or in the sign.



This sign indicates contents of regulating or directing actions. Specific prohibitions are written around or in the sign.

PRECAUTIONS



WARNING Hazards or unsafe practices which could result in serious personal injury or death.



CAUTION Hazards or unsafe practices which could result in minor personal injury or appliance damage.



DO NOT PLUG IN OR UNPLUG WITH WET HANDS.

It may cause an electric shock or an injury.



DO NOT USE WITH OTHER THAN RATED VOLTAGE.

It may cause an electric shock, a fire or abnormal performance.
If the voltage is different, it may shorten the life of the motor or cause a failure.



PLUG THE POWER CORD CORRECTLY AND PUSH IT TIGHT IN A WALL SOCKET.

It may cause electric shock or a fire.



IF THE SUPPLY CORD IS DAMAGED, IT MUST BE REPLACED BY THE MANUFACTURER, ITS SERVICE OR SIMILARLY QUALIFIED PERSONS IN ORDER TO AVOID A HAZARD.

If the power cord is damaged, it may cause electric shock or a fire.



NEVER ALTER THE APPLIANCE. ALSO, DO NOT DISASSEMBLE OR REPAIR BY YOURSELF. DO NOT INSERT FINGERS, FOREIGN SUBSTANCES OR OBJECTS SUCH AS PINS INTO GAPS OR HOLES IN THE BASE. It may cause a fire, an electric shock or a failure. For any technical support, contact the authorized local Customer Care Center.

PRECAUTIONS FOR SAFE USE



DO NOT MOISTEN THE BASE OR SPLASH WATER ON THE BASE.

Be careful not to let any liquids or other substances get into the switch on the appliance. DO NOT OPERATE THE SWITCH WITH WET HANDS. It may cause electric shock or a fire.



WHEN THE POWER CORD, WIRE IS BROKEN OR DAMAGED OR THE PLUG-IN PART BECOMES LOOSE, DO NOT OPERATE IT.

It may cause an electric shock, a fire or an injury.



FOR SAFETY, MUST DO GROUND CONNECTION DO NOT DO THE GROUNDING ON GAS PIPE, PLASTIC WATER PIPE, TELEPHONE WIRE, ETC.

It could cause an electric shock, a fire, or a malfunction and an explosion. Be sure to use the socket with ground connection.



NEVER DISASSEMBLE BOWL SET DURING OPERATION OR INSERT FINGERS, FOREIGN OBJECTS SUCH AS FORKS, SPOONS ETC. INTO FEEDING TUBE OR JUICE OUTLET.

It may cause an injury, an accident or a failure.



THIS APPLIANCE IS NOT INTENDED FOR USE BY PERSONS (INCLUDING CHILDREN) WITH REDUCED PHYSICAL, SENSORY OR MENTAL CAPABILITIES, OR LACK OF EXPERIENCE AND KNOWLEDGE, UNLESS THEY HAVE BEEN GIVEN SUPERVISION OR INSTRUCTION CONCERNING USE OF THE APPLIANCE BY A PERSON RESPONSIBLE FOR THEIR SAFETY.

Children should be supervised to ensure that they do not play with the appliance.



DO NOT OPERATE WITHOUT LOCKING THE HOPPER PROPERLY.

It may cause an injury or a failure.



WHEN DETECTING A GAS LEAK, DO NOT INSERT THE POWER CORD INTO ITS SLOT. OPEN THE WINDOW TO VENTILATE FULLY AND IMMEDIATELY.

It may cause an injury or a failure.



IF SCREW ROTATION IS STOPPED IN NORMAL OPERATION, PRESS [REVERSE/REV] BUTTON AND HOLD FOR 2~3 SECONDS AND THEN AFTER REVERSE OPERATION IS COMPLETELY STOPPED, PRESS [ON] BUTTON AGAIN.

If such a stop event continues during the operation, the parts may be damaged and performance may be deteriorated due to overheating in a motor. When the problem continues, immediately stop the appliance and contact the local Customer Care Center.



NEVER PUT A FINGER, A FORK OR A SPOON ETC. INTO JUICE OUTLET.

It may cause an injury or a failure.

PRECAUTIONS FOR SAFE USE



DURING THE OPERATION, DO NOT ATTEMPT TO MOVE THE BASE, DISASSEMBLE THE BOWL SET OR PARTS AND TRY TO LOCK THEM.

It may cause an injury or a failure. Any act of event needed, switch off first and unplug the power cord.



WHEN USING THE APPLIANCE, BE CAREFUL FOR A NECKTIE, LONG NECKLACE, SCARF ETC. NOT TO BE ENTANGLED INTO FEEDING TUBE.

It may cause an injury, a failure or a breakage.



PLACE THE APPLIANCE ON A FLAT AND STABLE SURFACE.

It may cause an injury or a failure.



DO NOT OPERATE THE APPLIANCE FOR MORE THAN 30 MINUTES AT A TIME.

It may cause a motor failure due to overheating. Cool it down sufficiently for 5 minutes and operate it again.



WHEN PLACING INGREDIENTS INTO THE FEEDING TUBE, ONLY USE THE PUSHER PROVIDED.

It may cause an injury or a failure.



DO NOT ALLOW A SEVERE SHOCK TO THE APPLIANCE OR DROP IT.

It may cause an electric shock, a fire or damage



IF THE APPLIANCE GIVES OFF AN UNPLEASANT SMELL OR EXCESSIVE HEATING, SMOKE, STOP USING IMMEDIATELY AND CONTACT THE LOCAL CUSTOMER CARE CENTER.

When using a new appliance, it gives off a smell and the smell disappears naturally over time.



ALWAYS UNPLUG THE APPLIANCE AFTER USE. WHEN UNPLUGGING THE POWER CORD, MAKE SURE TO HOLD THE POWER CORD.

If holding the wire to unplug, it may cause an electric shock or a fire.



DO NOT WASH AT HIGH TEMPERATURES OF 80°C(176°F) OR MORE. DO NOT PUT THE APPLIANCE IN A DISHWASHER, A DRYER OR A MICROWAVE ETC.

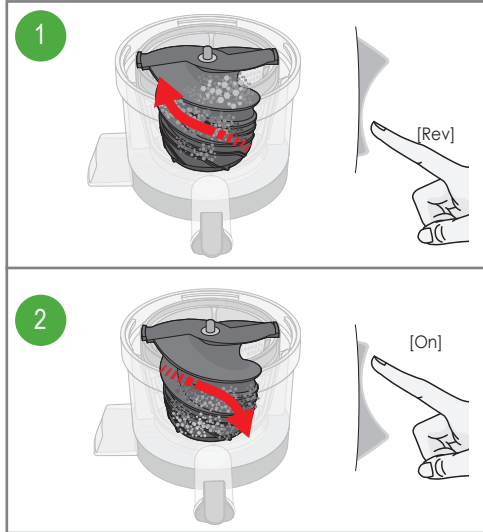
It may cause a failure or parts deformation.



THE APPLIANCE WEIGHS ABOUT 6KG (13.2LB). WHEN MOVING THE APPLIANCE, ENSURE TO MOVE IT HOLDING GRIPS TIGHTLY AT THE BASE BOTTOM WITH BOTH HANDS.

If attempting to hold bowl or the edge of the base, the base falls causing an injury or a failure.

IF THE AUGER STOPS WORKING



Press [Rev] button for 3 to 5 seconds, then release. When the [Rev] button is released, the auger will stop rotating. Repeat this 2 to 3 times.

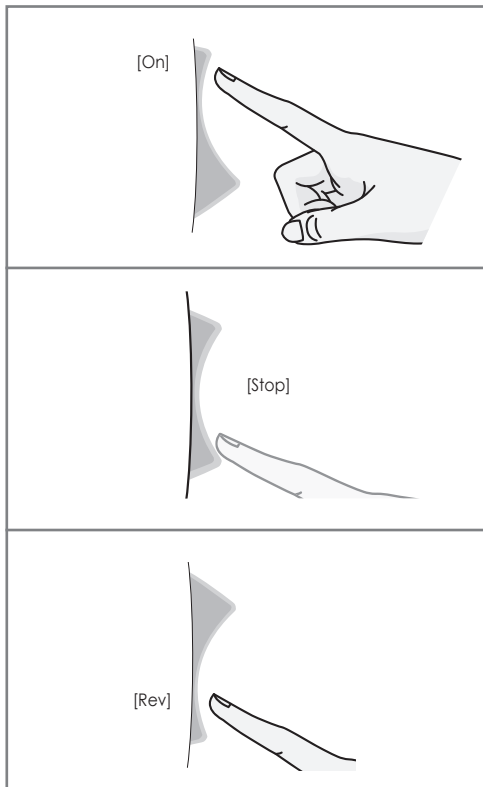
The [Rev] button pushes the ingredients upward releasing the food clog.

Press [ON] button to operate properly. When using the [ON] or [Rev] button, make sure the auger stops completely after stopping or releasing the button

Note:

Even after following the directions above, if the juicer still doesn't work, please unplug the power cord, disassemble the chamber set and clean it. Then try again.

⚠ CAUTION WHEN USING OPERATION BUTTON



To STOP the operation, press the [Rev] button quickly. The auger will rotate slowly then stop. After the auger rotation stops completely, you can press [ON] to continue operation as normal or hold down the [Rev] button to push ingredients upward.

HINTS & TIPS

- Use caution when juicing the following ingredients:
 - Fruits with seeds that are hard to chew should be pitted before extraction. Fruits such as plums, peaches, and apricots.
 - Stalk vegetables with strong fiber should be cut into smaller sizes of 1 to 2 inches before placing in the hopper. Vegetables such as water parsley, celery, etc.
 - Do not use sesame, coffee beans, bark of a tree, Chinese pepper, etc. which cannot be extracted.
 - Do not use fruits preserved in alcohol, sugar, honey, etc. It may cause damage or failure.
- Frozen fruit or withered ingredients stored in the refrigerator for a long time, may extract less amount of juice or may even be impossible to juice.
- Do not re-squeeze residue expelled through pulp outlet, except for soft fruits. Soft fruits can be re-squeezed.
- You can use the appliance to crush spices (garlic and red pepper).
- Do not use appliance to grind grains. It may cause damage or failure.
- We recommend you drink juice immediately after extraction.
- Do not use the appliance for more than 30 minutes continuously. It may cause failure due to overheating of the motor.

TROUBLESHOOTING

Please troubleshoot using the details below before contacting Sana Customer Service for repair or service. When contacting Sana for after-sales service, please have the manufacturer's serial number or bar code available.

The Appliance Does Not Work

- Make sure the power cord is plugged in correctly.
- Make sure the hopper is assembled correctly. If the hopper is not locked into place, the appliance will not operate.
- Make sure the appliance is assembled according to the instructions in this manual. Refer to the instructions.
- If the appliance still does not work, please contact Sana Customer Service for additional support.

The Hopper Does Not Open

- If there is a lot of pulp inside the chamber, press [On] to release the excess pulp.
- Check the appliance for any foreign substance or solid objects including seeds.
- Press [Rev] button to push up stuck ingredients.
- Do not attempt to open by force. If the hopper still does not open, please contact Sana Customer Service for additional support.

The Appliance Stops During Normal Operation

- Check for large pieces of food stuck in the appliance.
- Refer to the manual "If the Auger Stops Working" and follow the guideline for the [Rev] button.
- If the appliance still does not work, please contact Sana Customer Service for additional support.

Fine Lines or Scratch Marks around the Auger

- This is normal. Do not be concerned. These are molding marks resulting from the normal manufacturing process.

Juice Leaks Over the Base

- Check for an excessive amount of ingredients in the hopper chute.
- If you try to juice a large amount of food compared to the pulp outlet, the packing will be slightly pushed away. Juice may leak out of the gap.
- Do not force too much food into the juicer. Push food gradually for extraction.
- Check to make sure the juice flap is closed.

Juicer Shakes when In-Use

- This is normal as the auger rotates. It is not a malfunction. Hard ingredients such as carrots, potato, radish, beets, etc. may cause shaking more so than soft ingredients.
- Depending on the firmness of the ingredient, there may be a more pronounced shaking of the motor.
- Slight shaking may be caused by the motor.

www.eujuicers.com

PRODUCT SPECIFICATIONS

Product Name	Vertical Juicer
Model Name	EUJ-808
Rated Voltage	230 V
Rated Frequency	50 Hz
Rated Power Consumption	150 W
RPM	43 rpm
Cord Length	1.4 m
Motor	Single-phase induction motor
Weight	6.8 kg (15 lb)
Outward Dimension	9.3" Width (236 mm) 9.4" Length (240 mm) 15.7" Height (398 mm)
Rated Operating Time	Less than 30 minutes





Sana
JUICER BY 

NOURISH YOUR BODY
Enrich Your Soul

www.SanaProducts.eu